

Leviton Load Center Indoor Panel

APPLICATION

Leviton Indoor Load Centers are easy to install and feature a white enclosure housing white circuit breakers for a modern, appealing unit. An optional observation window in the cover allows at-a-glance operating status of all the circuit breakers.

FEATURES AND BENEFITS

- Terminate all hot and neutral wires at custom lugs in the panel, not at the circuit breaker*
- The entire panel can be wired at rough-in without circuit breakers installed
- At final installation, simply plug-on the circuit breaker
- No pigtails on circuit breakers
- Easily invertible for bottom feed applications
- Copper bus is standard
- Notches stamped into the enclosure for cable ties promote secure and neat wiring
- Hydraulic-Magnetic trip technology ensures precise tripping even in extreme temperature ranges**
- Leviton GFCI, AFCI and Dual Function circuit breakers feature our patented reset lockout and will not reset if ground- or arc-fault protection is compromised
- Leviton circuit breakers with GFCI technology stand alone as the only circuit breakers on the market that exceed the newest UL requirements for ground-fault protection
- Intuitive LEDs help communicate trip condition and type of fault (AF/GF) and remain illuminated even when the circuit breaker is in the tripped state
- Color: White

*For applications up to 60A when using copper wire; or 50A when using aluminum wire

**From -40°C to 85°C

ELECTRICAL SPECIFICATIONS

Short Circuit Current Rating: 22 KA

Voltage: 120/240 VAC

Busbar rating (all panels): 225A

MECHANICAL SPECIFICATIONS

Busbar Material: Copper, Bright Tin-Plated

Enclosure Material: Galvanized Steel, White Powder Coat

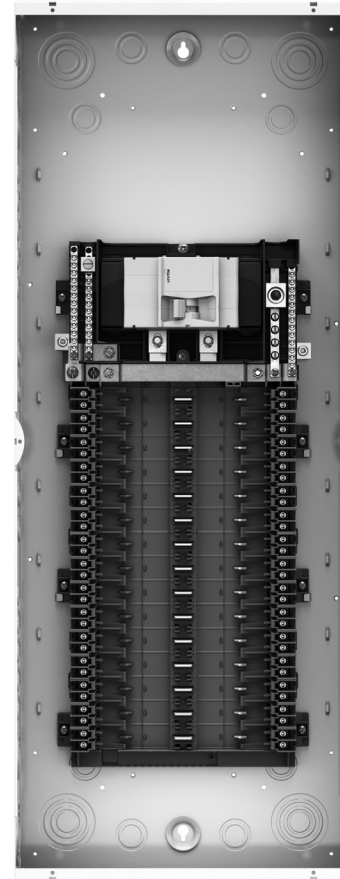
Ground Connection: 4 AWG - 2/0 AWG Cu/Al

Supply Connections: 3 AWG - 300 MCM Cu/Al

ENVIRONMENTAL SPECIFICATIONS

NEMA Enclosure Type: NEMA 1 Indoor

Operating Temperature: -40°C to 85°C



Cat. No. LP210-MB

STANDARDS & CERTIFICATIONS

UL 67: File E480404

UL 50

UL 50E

UL 869A

CSA Std. C22.2 No. 29-15 (Canadian versions)

Certificate 70170209

WARRANTY INFORMATION

For Leviton's limited product warranty, visit www.leviton.com

Leviton Mfg. Co., Inc.

201 North Service Road, Melville, NY 11747 Tech Line: 1-800-824-3005 Fax: 1-800-832-9538 www.leviton.com

© 2019 Leviton Manufacturing Co., Inc. All rights reserved. Subject to change without notice.

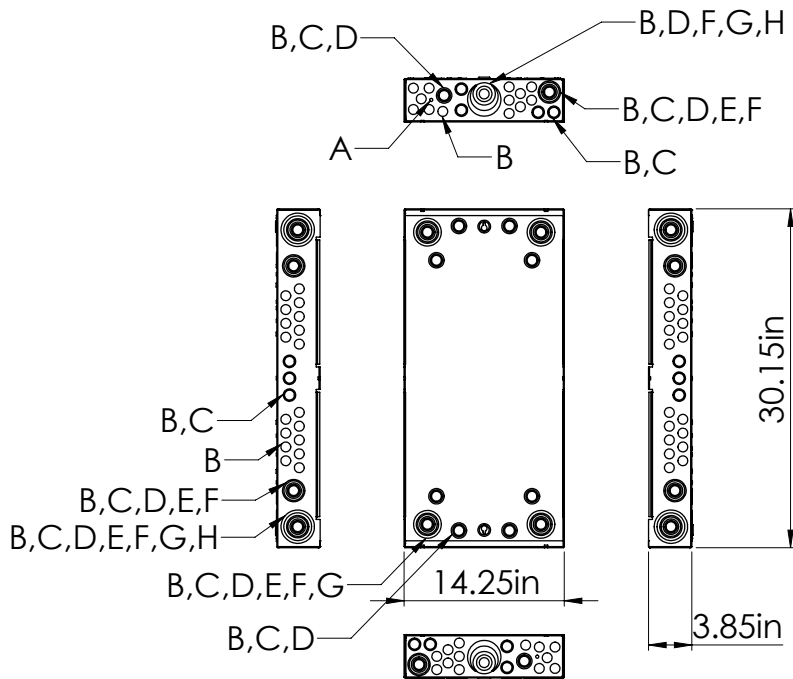
INDOOR PANEL SPECIFICATIONS

| CAT. NO. | NUMBER OF SPACES | CURRENT RATING (A) | AGENCY LISTING |
|-----------|------------------|--------------------|----------------|
| LP210-MB | 20 | 100 | UL |
| LP212-MB | | 125 | |
| LP215-MB | | 150 | |
| LP220-MB | | 200 | |
| LP212-ML | | 125 | |
| LP210-CBD | | 100 | UL, CSA |
| LP210-CBW | | 125 | |
| LP212-CBD | | | |
| LP212-CBW | | | |
| LP212-CLD | | | |
| LP212-CLW | | | |

KNOCKOUT SIZE TABLE

| LABEL | SIZE (IN) |
|-------|-----------|
| A | 1/4 |
| B | 1/2 |
| C | 3/4 |
| D | 1 |
| E | 1-1/4 |
| F | 1-1/2 |
| G | 2 |
| H | 2-1/2 |

DIMENSIONAL DRAWINGS



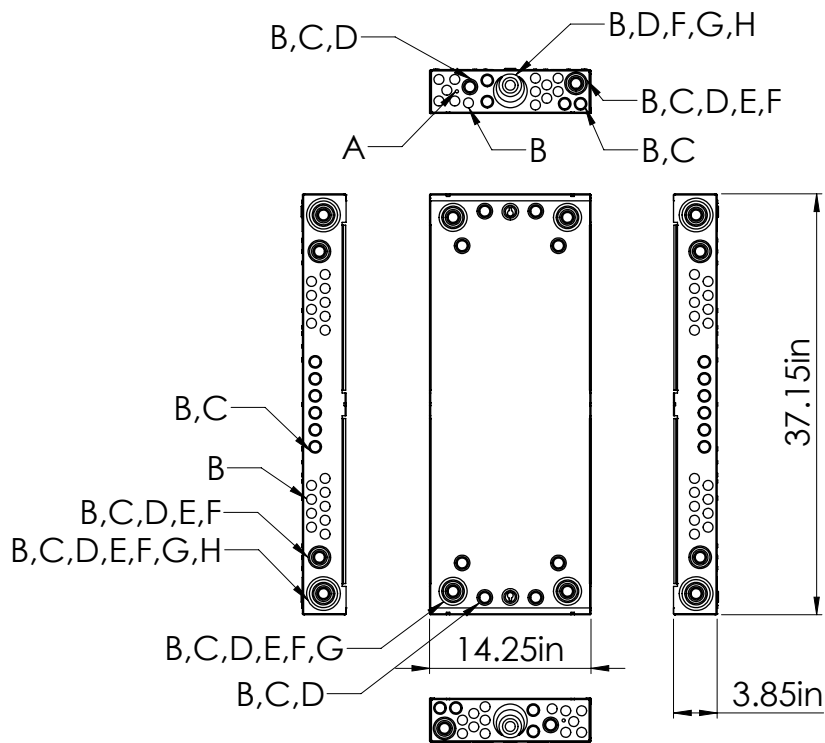
Leviton Mfg. Co., Inc.

201 North Service Road, Melville, NY 11747 Tech Line: 1-800-824-3005 Fax: 1-800-832-9538 www.leviton.com
 © 2019 Leviton Manufacturing Co., Inc. All rights reserved. Subject to change without notice.

INDOOR PANEL SPECIFICATIONS

| CAT. NO. | NUMBER OF SPACES | CURRENT RATING (A) | AGENCY LISTING |
|-----------|------------------|--------------------|----------------|
| LP310-MB | 30 | 100 | UL |
| LP312-MB | | 125 | |
| LP315-MB | | 150 | |
| LP320-MB | | 200 | |
| LP320-ML | | | |
| LP310-CBD | | 100 | UL, CSA |
| LP310-CBW | | 150 | |
| LP315-CBD | | | |
| LP315-CBW | | 200 | |
| LP320-CBD | | | |
| LP320-CBW | | | |
| LP320-CLD | | | |
| LP320-CLW | | | |

DIMENSIONAL DRAWINGS



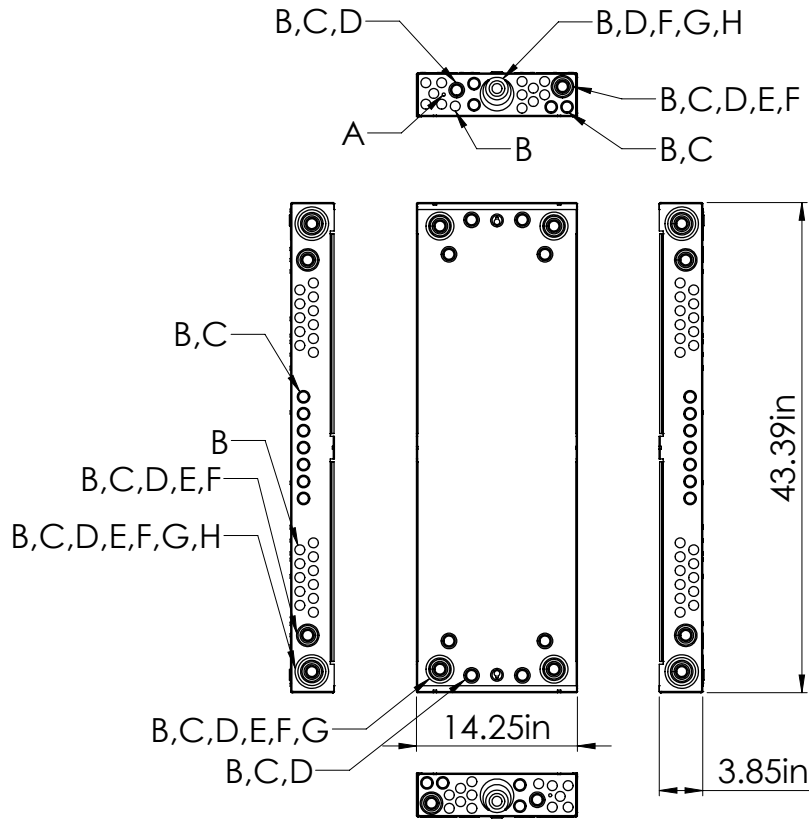
Leviton Mfg. Co., Inc.

201 North Service Road, Melville, NY 11747 Tech Line: 1-800-824-3005 Fax: 1-800-832-9538 www.leviton.com
 © 2019 Leviton Manufacturing Co., Inc. All rights reserved. Subject to change without notice.

INDOOR PANEL SPECIFICATIONS

| CAT. NO. | NUMBER OF SPACES | CURRENT RATING (A) | AGENCY LISTING |
|-----------|------------------|--------------------|----------------|
| LP415-MB | 42 | 150 | UL |
| LP420-MB | | 200 | |
| LP422-MB | | 225 | |
| LP422-ML | | | |
| LP410-CBD | | 100 | UL, CSA |
| LP410-CBW | | | |
| LP412-CBD | | 125 | |
| LP412-CBW | | | |
| LP415-CBD | | 150 | |
| LP415-CBW | | | |
| LP420-CBD | | 200 | |
| LP420-CBW | | | |
| LP422-CBD | | 225 | |
| LP422-CBW | | | |
| LP422-CLD | | | |
| LP422-CLW | | | |

DIMENSIONAL DRAWINGS



Leviton Mfg. Co., Inc.

201 North Service Road, Melville, NY 11747 Tech Line: 1-800-824-3005 Fax: 1-800-832-9538 www.leviton.com
 © 2019 Leviton Manufacturing Co., Inc. All rights reserved. Subject to change without notice.

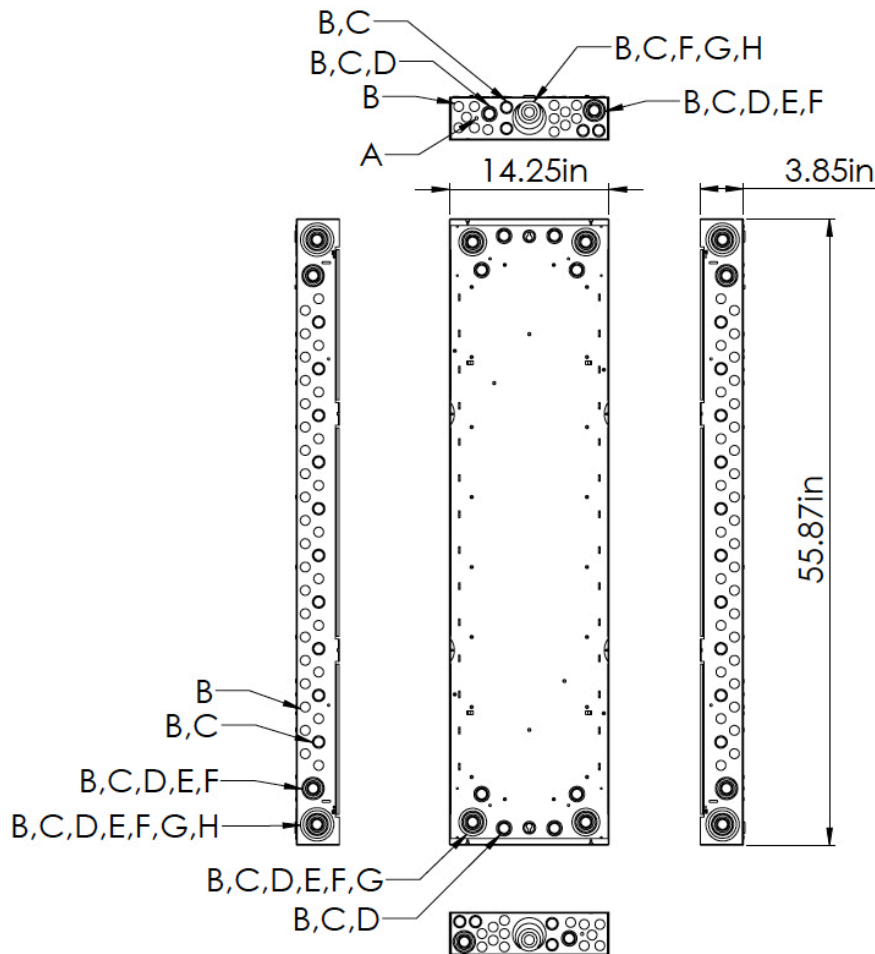
INDOOR PANEL SPECIFICATIONS

| CAT. NO. | NUMBER OF SPACES | CURRENT RATING (A) | AGENCY LISTING |
|-----------|------------------|--------------------|----------------|
| LP620-MB | 66 | 200 | UL |
| LP622-MB | | 225 | |
| LP622-1L | | | |
| LP620-CBD | | 200 | UL, CSA |
| LP620-CBW | | | |
| LP622-CBD | | 225 | |
| LP622-CBW | | | |
| LP622-CLD | | | |
| LP622-CLW | | | |

KNOCKOUT SIZE TABLE

| LABEL | SIZE (IN) |
|-------|-----------|
| A | 1/4 |
| B | 1/2 |
| C | 3/4 |
| D | 1 |
| E | 1-1/4 |
| F | 1-1/2 |
| G | 2 |
| H | 2-1/2 |

DIMENSIONAL DRAWINGS



Leviton Manufacturing Co., Inc.

201 North Service Road, Melville, NY 11747-3138
 Telephone: 1-800-323-8920 • Fax: 1-800-832-9538 • Tech Line: 1-800-824-3005 - Mon-Fri 8am-10pm EST, Saturday 9am-7pm EST

Leviton Manufacturing of Canada, Ltd.

165 Hymus Boulevard, Pointe Claire, Quebec H9R 1E9 • Telephone: 1-800-469-7890 • Fax: 1-800-563-1853

Leviton S. de R.L. de C.V.

Lago Tana 43, Mexico DF, Mexico CP 11290 • Tel. (+52) 55-5082-1040 • Fax. (+52) 5386-1797 • www.leviton.com.mx

Visit our website at www.leviton.com

© 2019 Leviton Manufacturing Co., Inc. All rights reserved. Subject to change without notice.



TS-072919/H19-dp